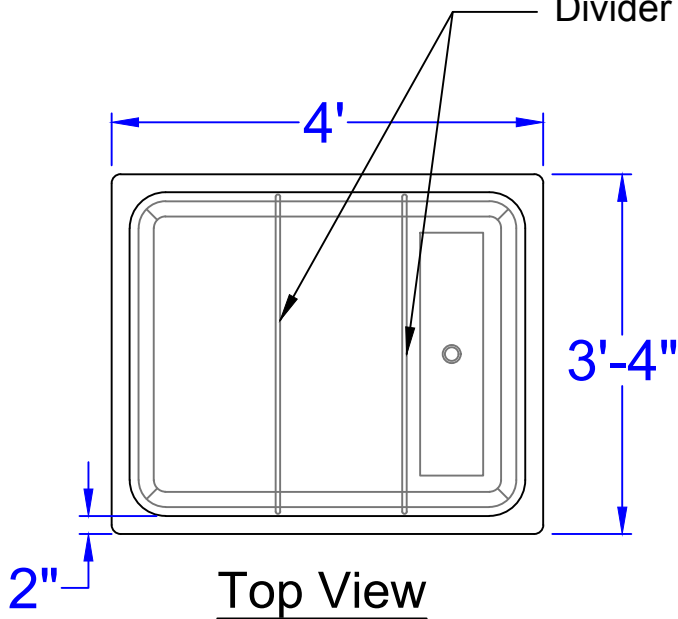
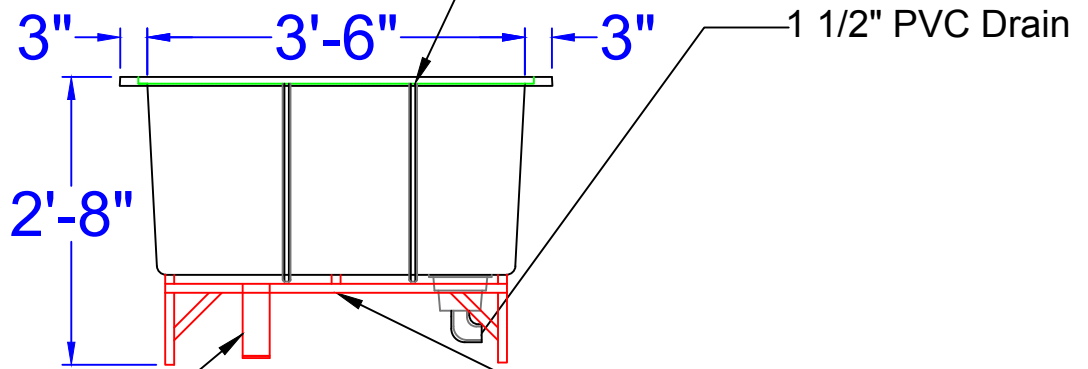


Divider Locations



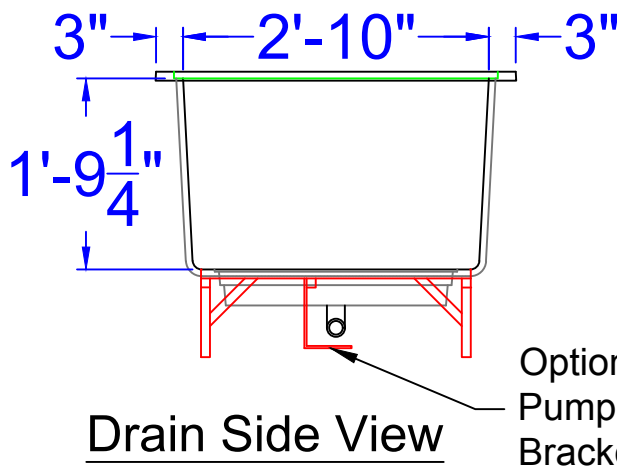
Recess for Optional Lid Max



Optional Filter Max Pump Mounting Bracket

Black Powder Coated Steel Tubing Frame

**Bait Tank Data**  
 Overall Width = 3'-4"  
 Overall Length = 4'-0"  
 Overall Height = 2'-8"  
 Overall Depth = 1'-9 1/4"  
 Unit Weight = 95 lbs.  
 Water Capacity = 123 Gallons  
 Available Color  
 Blue



33 Lewittes Rd.  
 Taylorsville, NC 28681  
 Phone: 828-632-8883  
 Fax: 828-632-5585  
 www.Piedmontcomposites.com

**BAIT-TANK**

Model :

**450**

Scale:  
SCALE  
 Drawn by:  
JEM  
 Created On  
12/17/12  
 Updated On  
04/03/19

Note: All drawings are the property of Piedmont Composites & Tooling, LLC. Variation in material thickness, dimension and weight may occur. PCT reserves the right to change or modify design at anytime without notice.