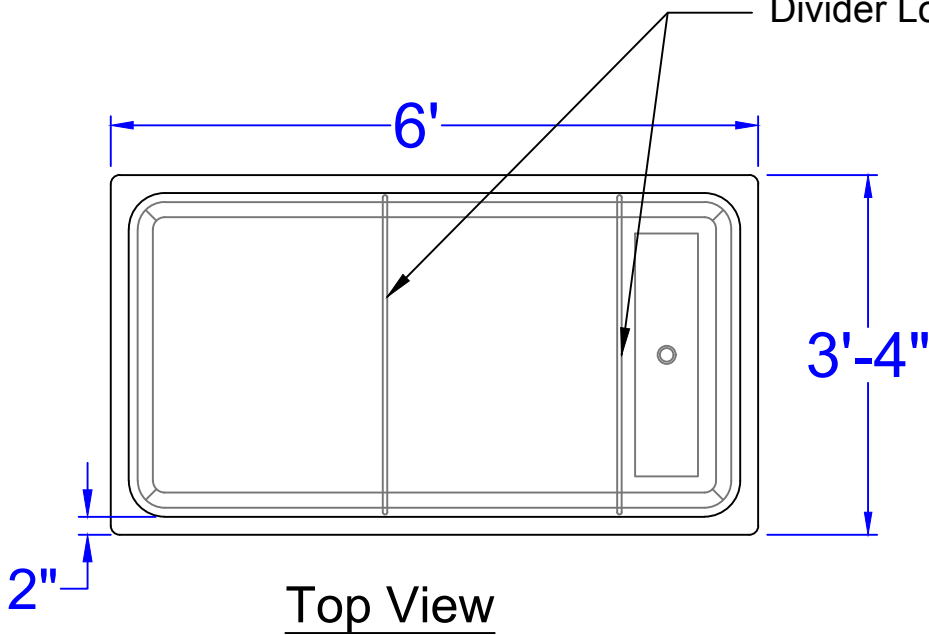
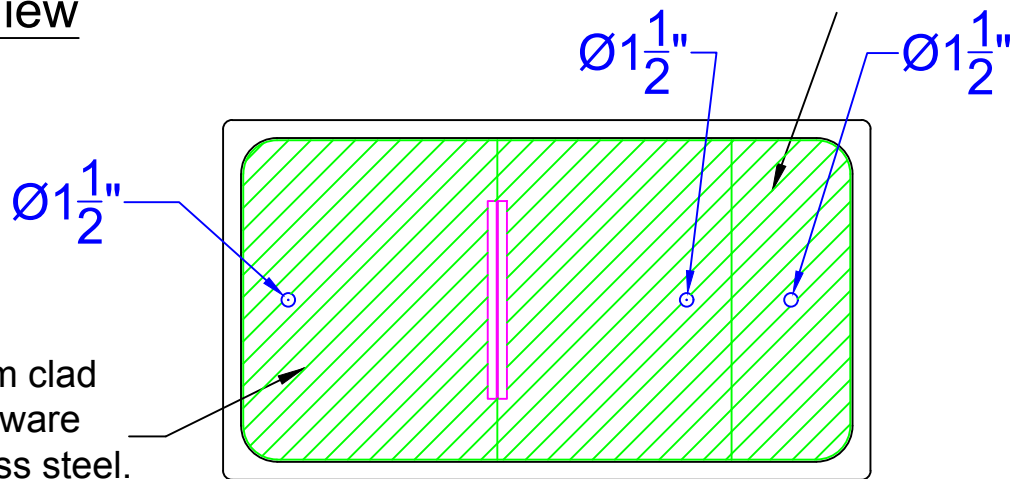


Divider Locations




Top View

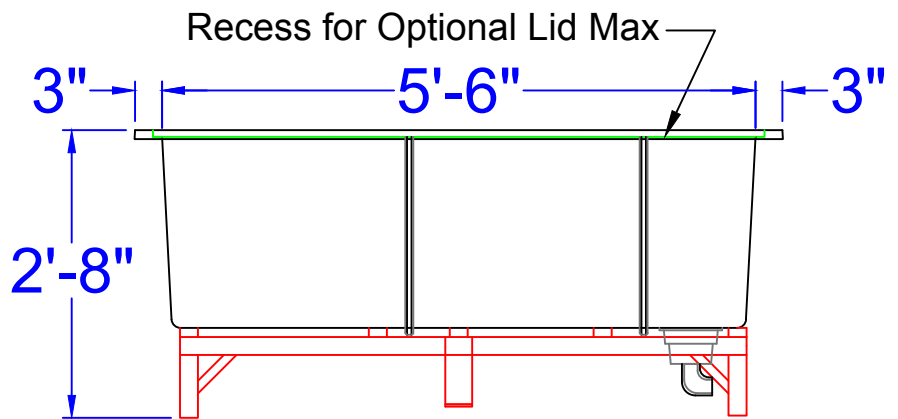
This section of lid lifts off bait tank for access



Top View

White 3 section Aluminum clad polyethylene lid. All hardware and fasteners are stainless steel. Lid sits inside recess on tank. (Not recommended for salt water)

<u>Bait Tank Data</u>	
Overall Width =	3'-4"
Overall Length =	6'-0"
Overall Height =	2'-8"
Overall Depth =	1'-9 1/4"
Unit Weight =	126 lbs.
Water Capacity =	195 Gallons
<u>Available Color</u>	
Blue	



Front View



33 Lewittes Rd.
 Taylorsville, NC 28681
 Phone: 828-632-8883
 Fax: 828-632-5585
 www.Piedmontcomposites.com

BAIT-TANK

Model :

650-LID

Scale:
SCALE
 Drawn by:
 JEM
 Created On
 12/17/12
 Updated On
 04/03/19